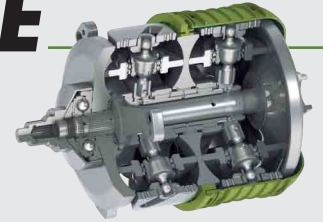


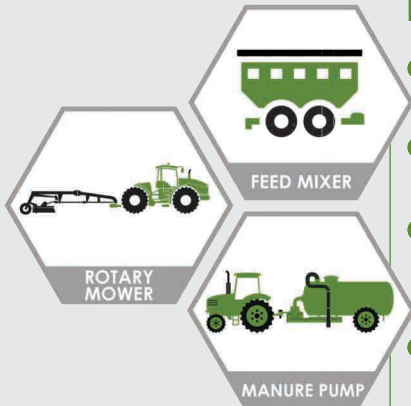
# CVT IMPLEMENT DRIVE

For Agricultural implement applications.



## COMPLETE POWERTRAIN SOLUTIONS

A CVT TRANSMISSION BRINGING BENEFITS IN ALL CONDITIONS



### Increased Efficiency, Productivity and Fuel Savings

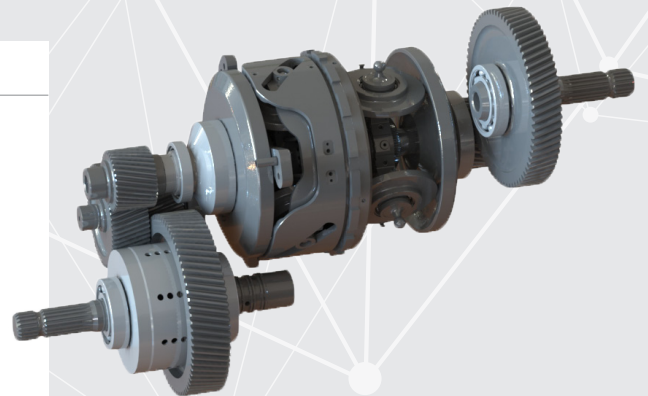
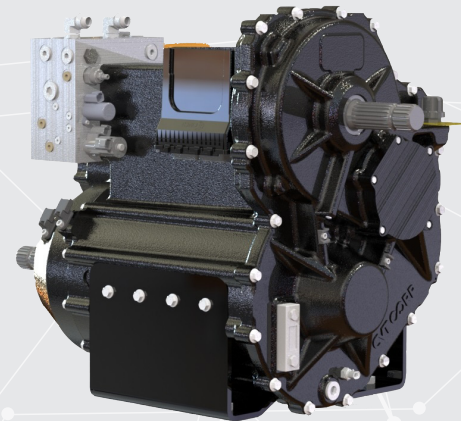
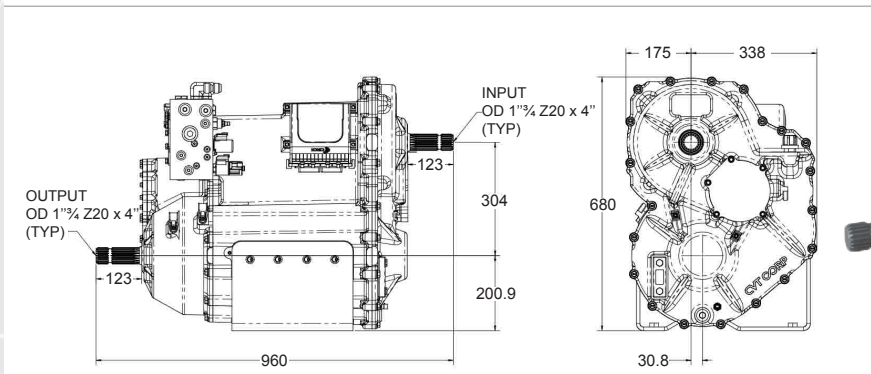
- ∞ Ease start-up and drive while you mix
- ∞ Increased reliability due to the internal wet clutch
- ∞ Automatic shift under load with infinite number of ratios resulting in improved implement performance
- ∞ Smaller tractor due to fully mechanical CVT: maximizing productivity and system efficiency
- ∞ Ease of Use

### General Ratings

|                     |                                    |
|---------------------|------------------------------------|
| Power Rating (kW)   | 150 @ 1000 rpm {75 @ 540 rpm}      |
| Input Speed (rpm)   | 1000 {540}                         |
| Input Torque (N*m)  | 1427                               |
| Output Speed (rpm)  | 233 to 1200                        |
| Output Torque (N*m) | 1220 (2400 peak) {610 (1200 peak)} |
| Range of Ratios     | 4.29 to 0.82 (span of 5.23)        |

\* Can be customized based on your needs.

### Dimensions



**CVT CORP**  
DESIGNED for Power

CVTCORP • 2101 Nobel Street, Suite N • Ste-Julie (QC) Canada J3E 1Z8

cvtcorp.com   